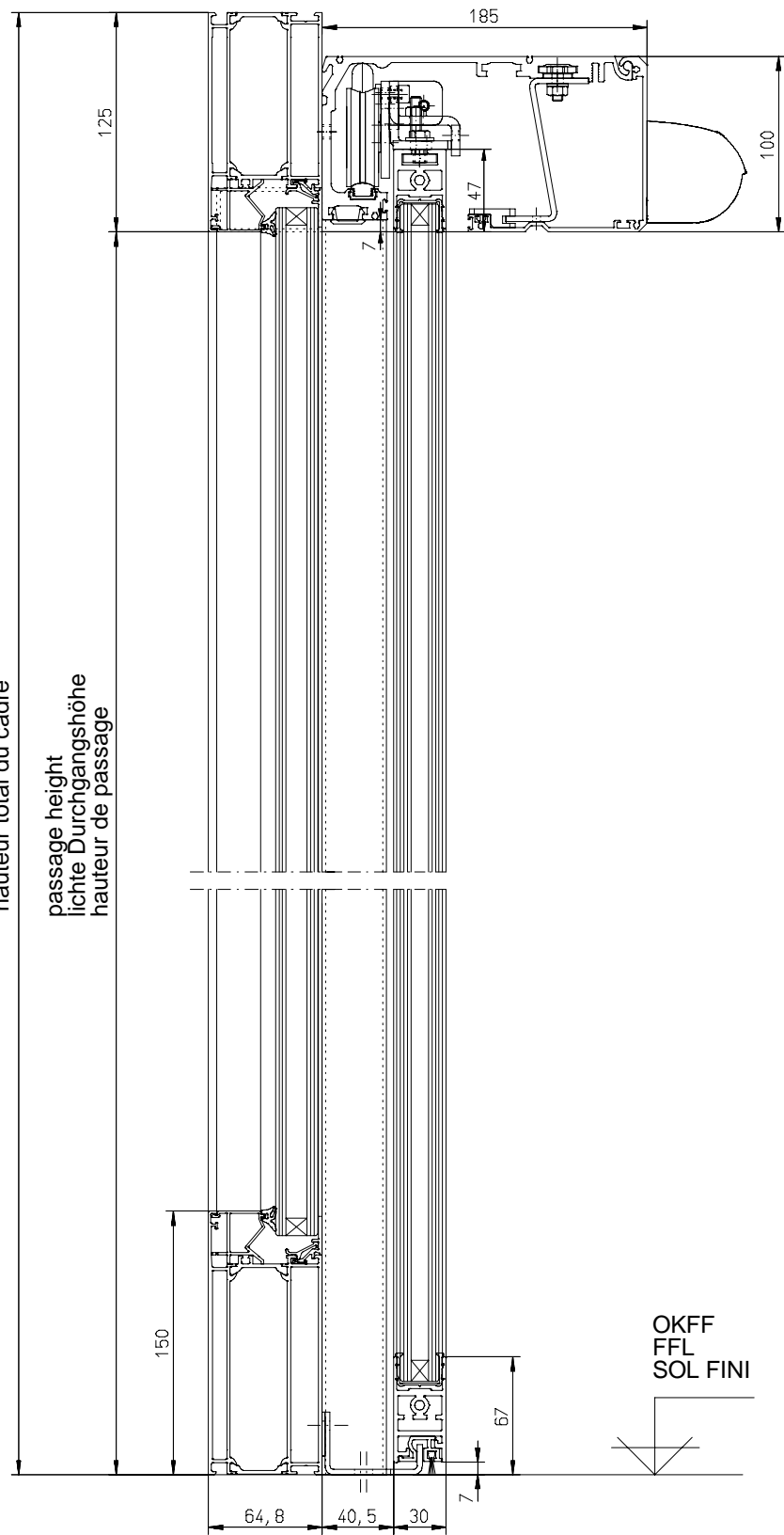
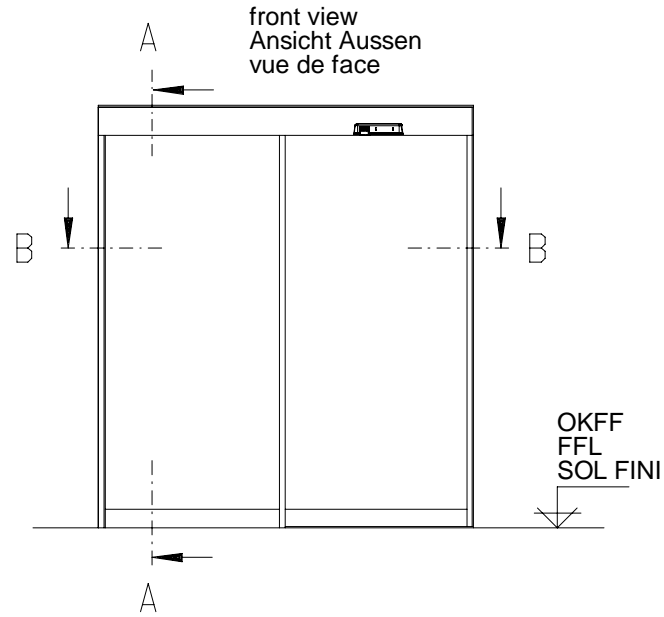


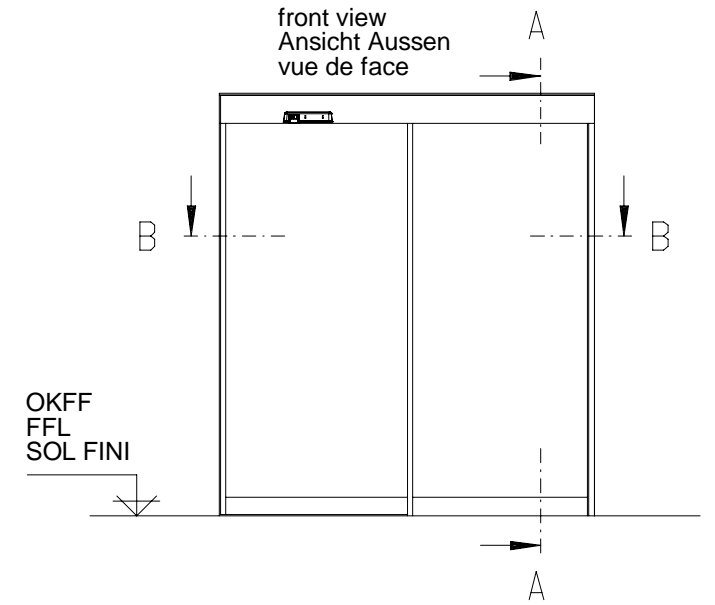
A - A



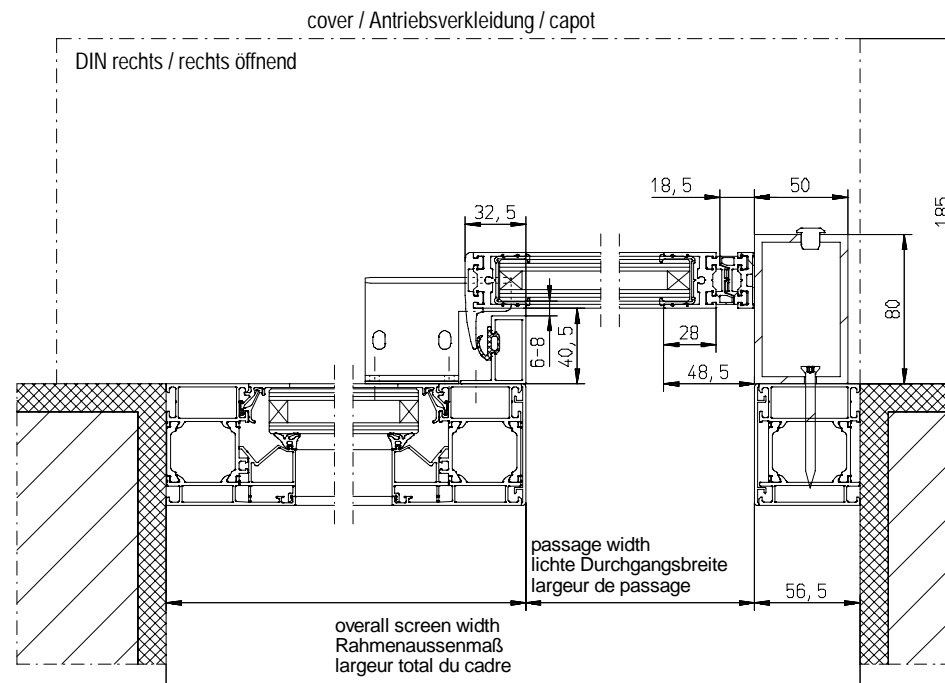
DIN rechts / rechts öffnend



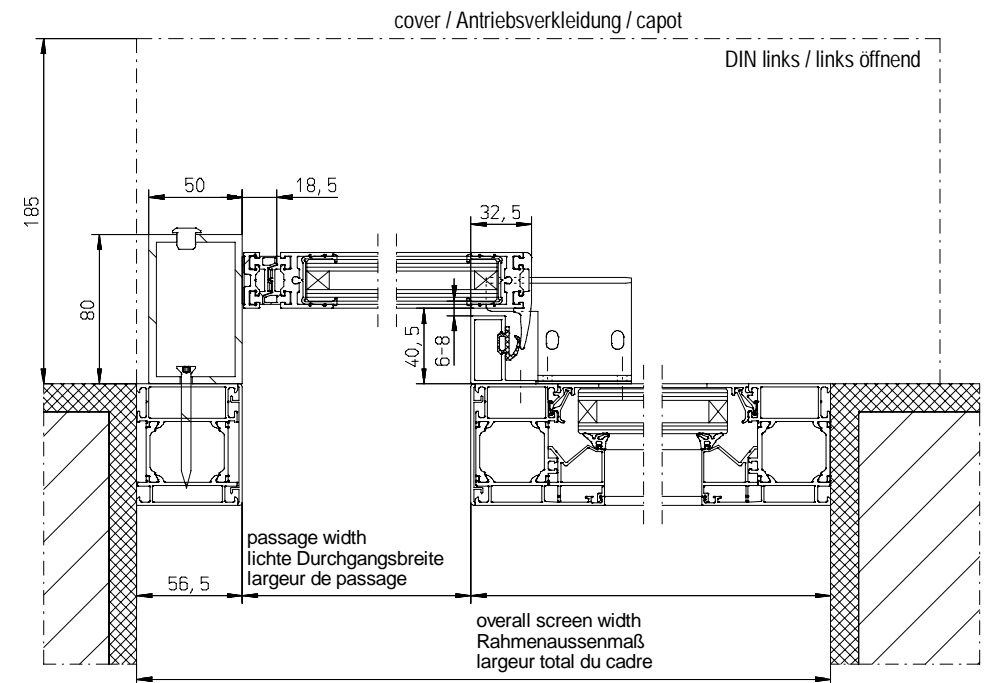
DIN links / links öffnend



B - B



B - B



Surface treatment	Material	Scale		
Tolerance	Mass Weight (kg)	Part No.	Date	Version
		CM/CMF-EL	21.05.2020	1/001
Type	Proprietary rights apply in accordance with ISO 10016		Release form	Release by
	Description	Level	Revised	Date
	-Profilsystem G30- 1-flügelig			
	-Profile system G30- 1 daar leaf	Drawing No.		Sheet
		A-9901180		1