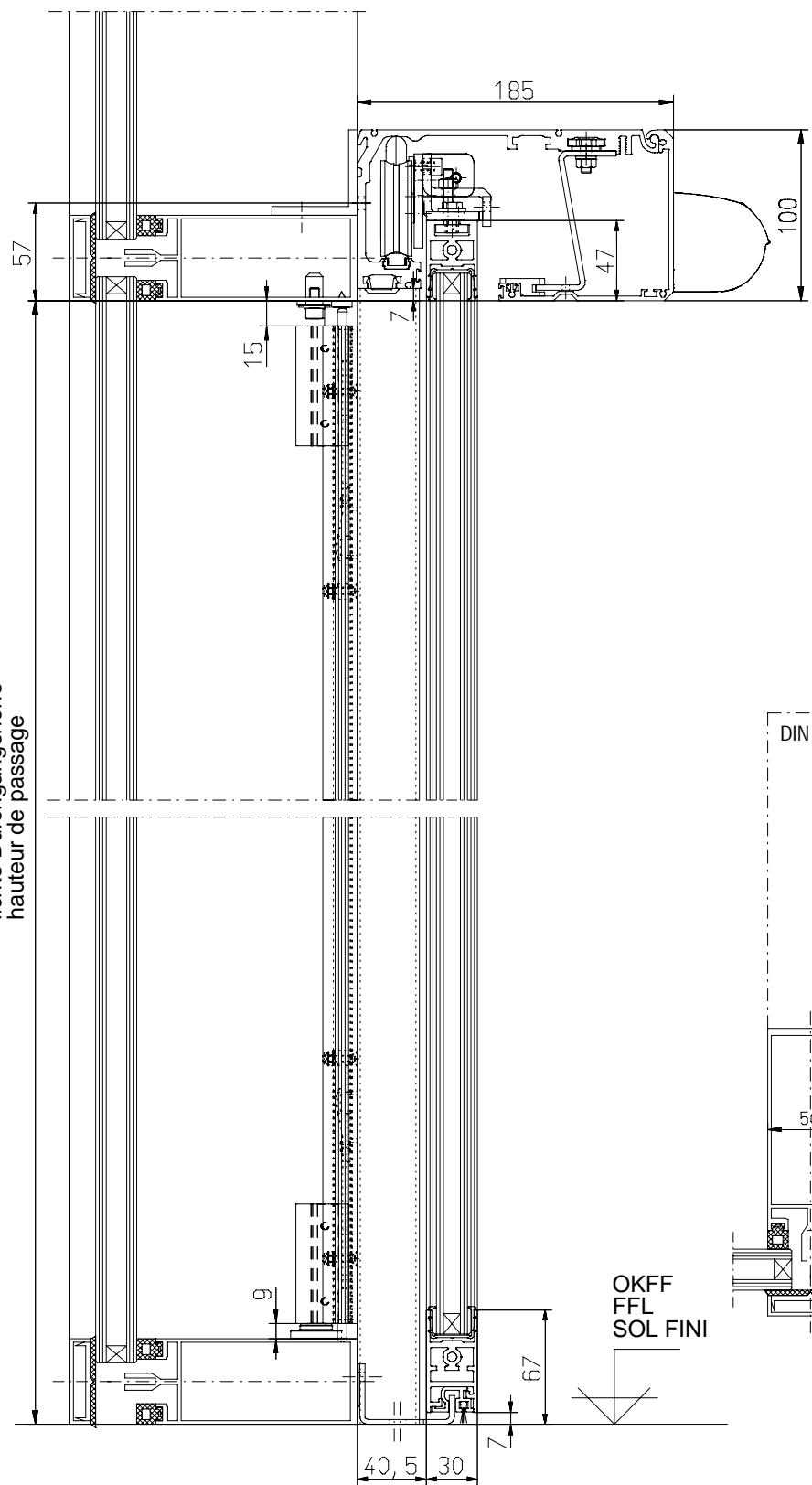
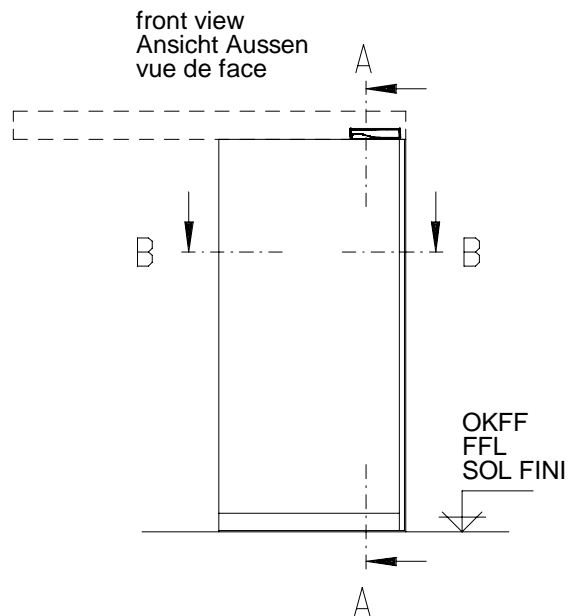


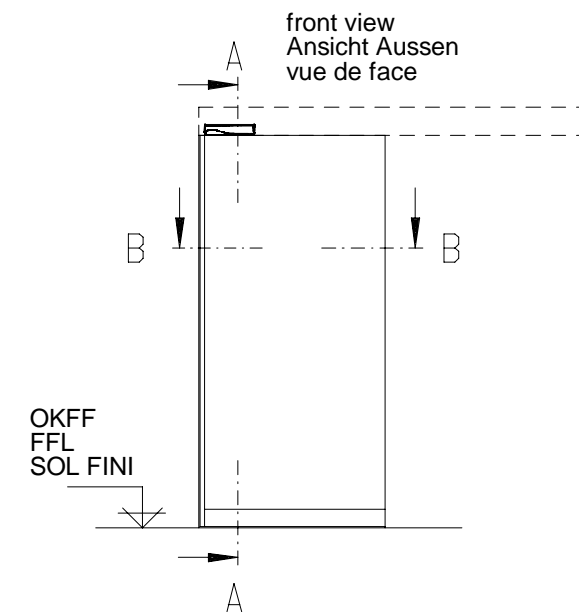
A - A



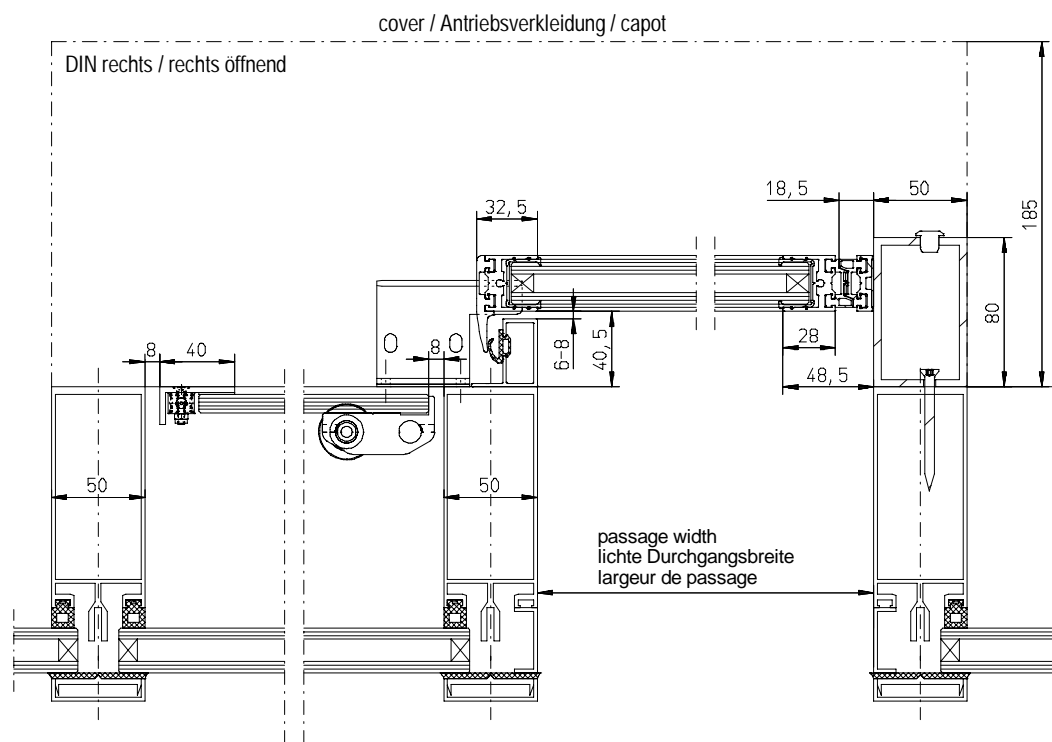
DIN rechts / rechts öffnend



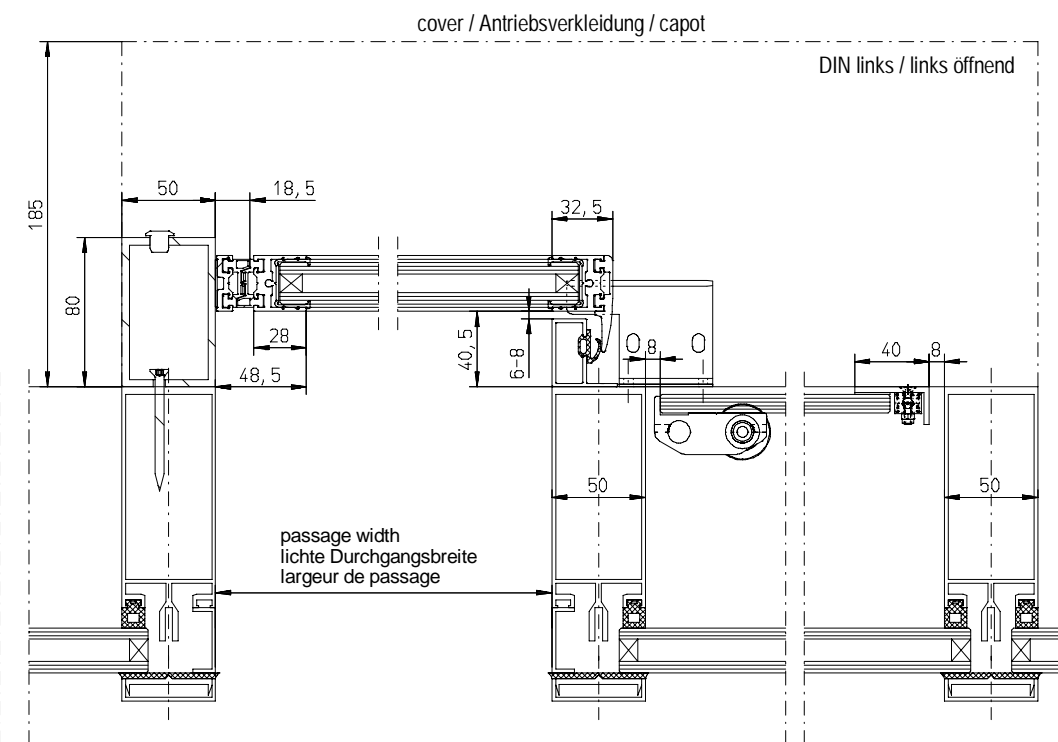
DIN links / links öffnend



B - B



B - B



Surface treatment	Material	Scale		
Tolerance	Mass Weight (kg)	Part No.	Date	Name
		CM/CMF-PR-SF	10.11.2020	Jander
Type	Norm	Release form	Release by	
Proprietary rights apply in accordance with ISO 10076				
 GU Automatic GmbH www.gu-automatik.com	Description		Level	Sheet
	-Profilsystem G30- 1-flügelig -Profile system G30- 1 daar leaf		Drawing No. A-9901160	1