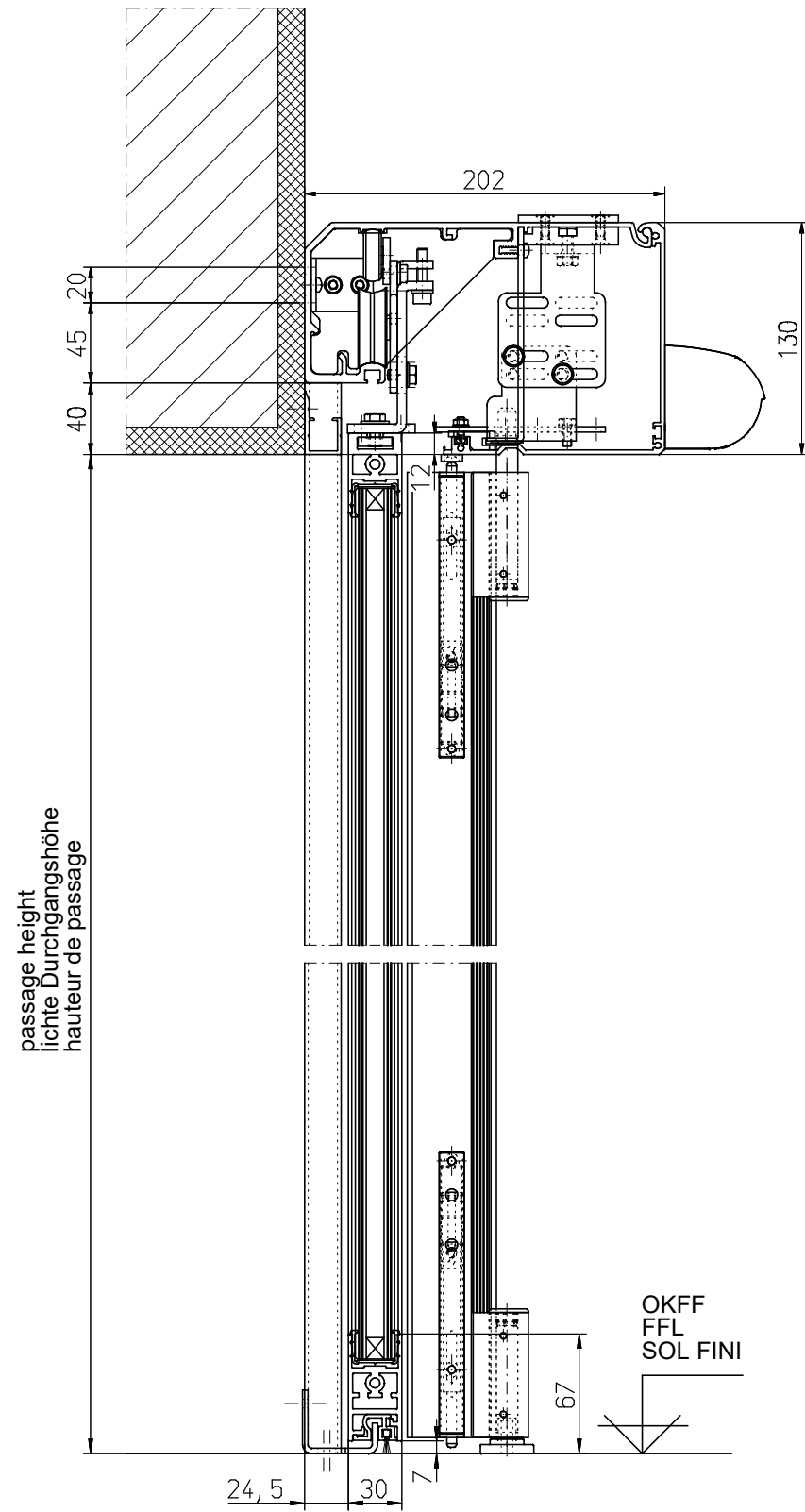
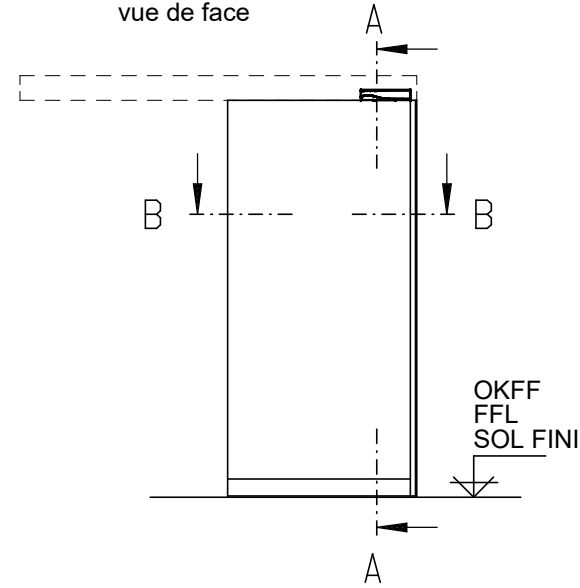


A - A



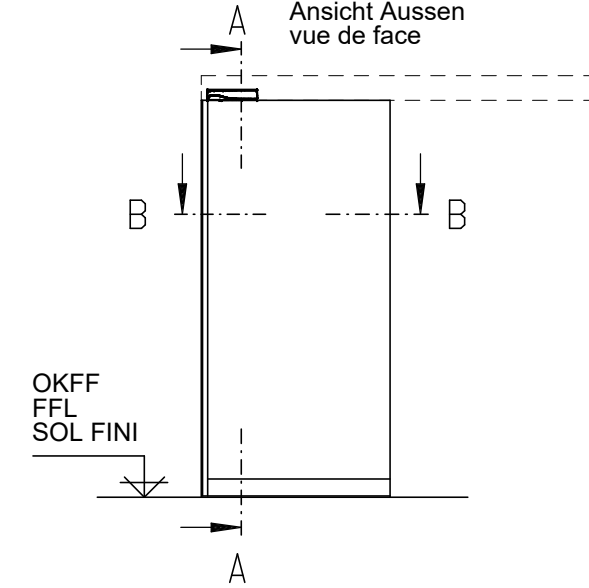
DIN rechts / rechts öffnend

front view
Ansicht Aussen
vue de face



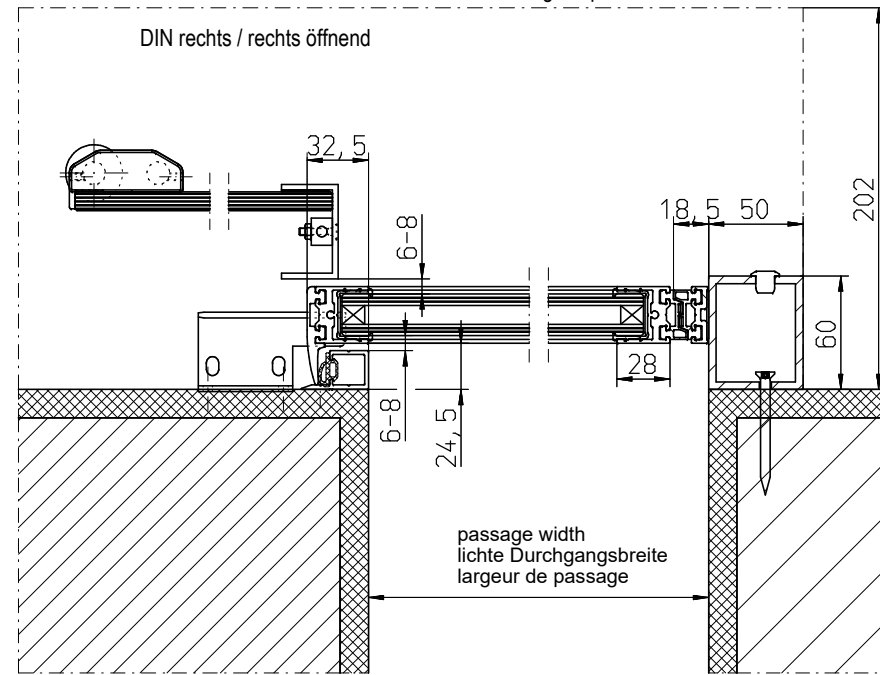
DIN links / links öffnend

front view
Ansicht Aussen
vue de face



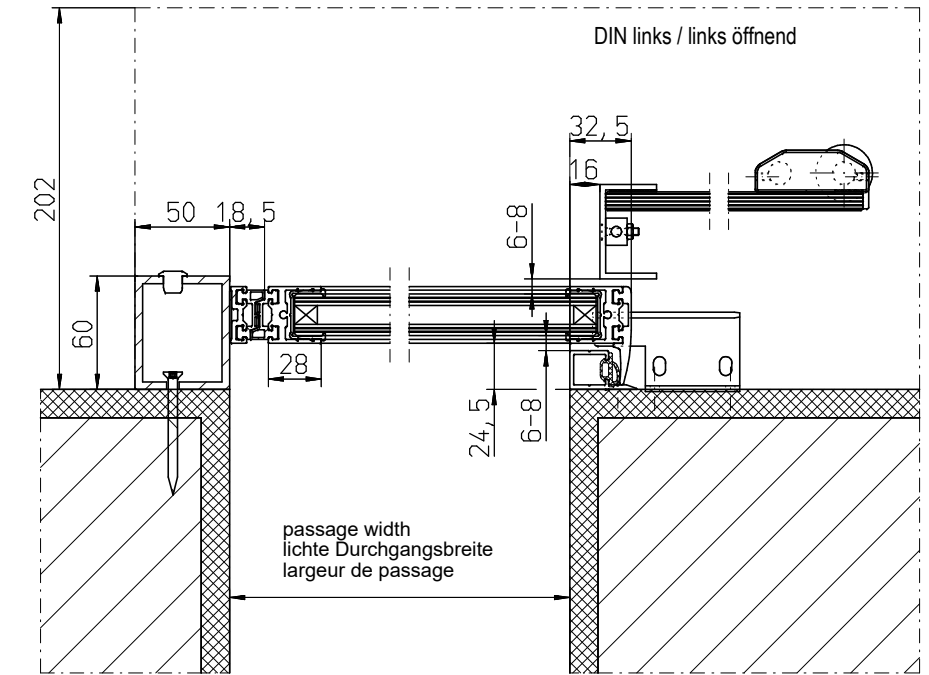
B - B

cover / Antriebsverkleidung / capot



B - B

cover / Antriebsverkleidung / capot



Surface treatment	Material	Scale	1:2	
Tolerance	Mass weight	Part No.	Date	Name
		EM/EMF-MW-SF	21.09.2020	
Type	Norm	Norm		
Proprietary rights apply in accordance with ISO 1676		Responsible for	Responsible by	01. Schutzlippen verschoben 04.04.2025 Errose
GU GU Automatic GmbH www.gu-automatic.com	Description	Drawn	Checked	Name
	-Profilsystem G30- 1-flügelig -Profile system G30- 1 door leaf			
		Drawing No.	Date	Sheet
		A-9902110-1		1