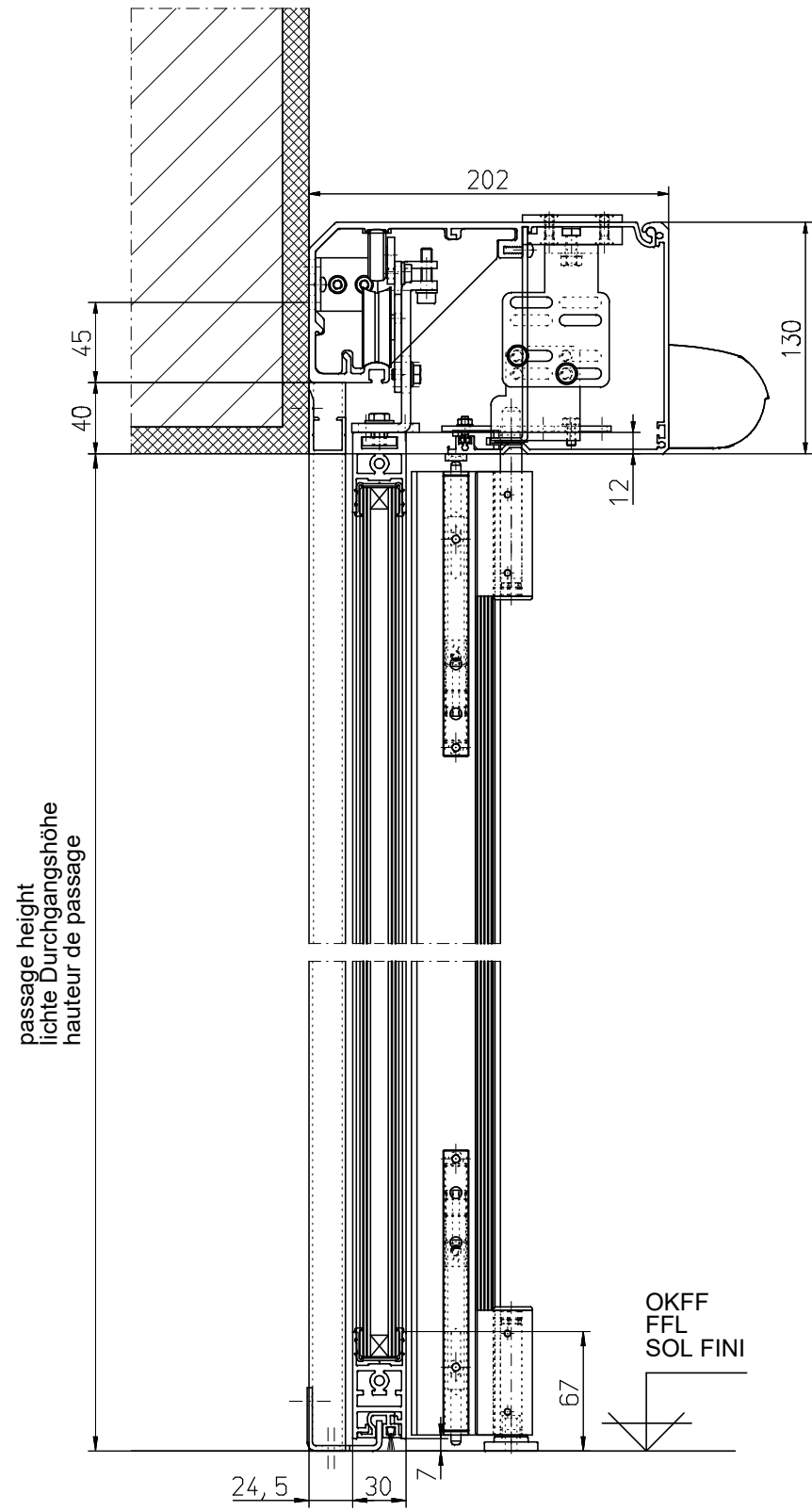
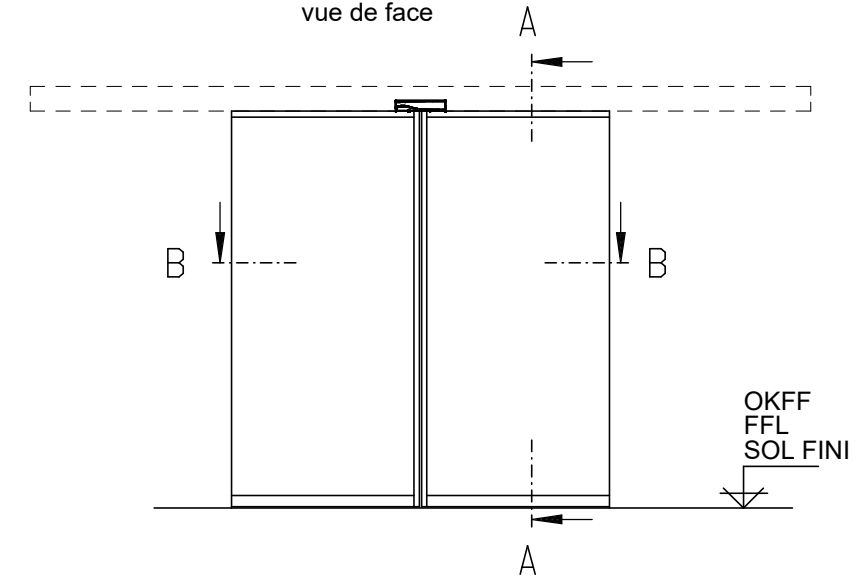


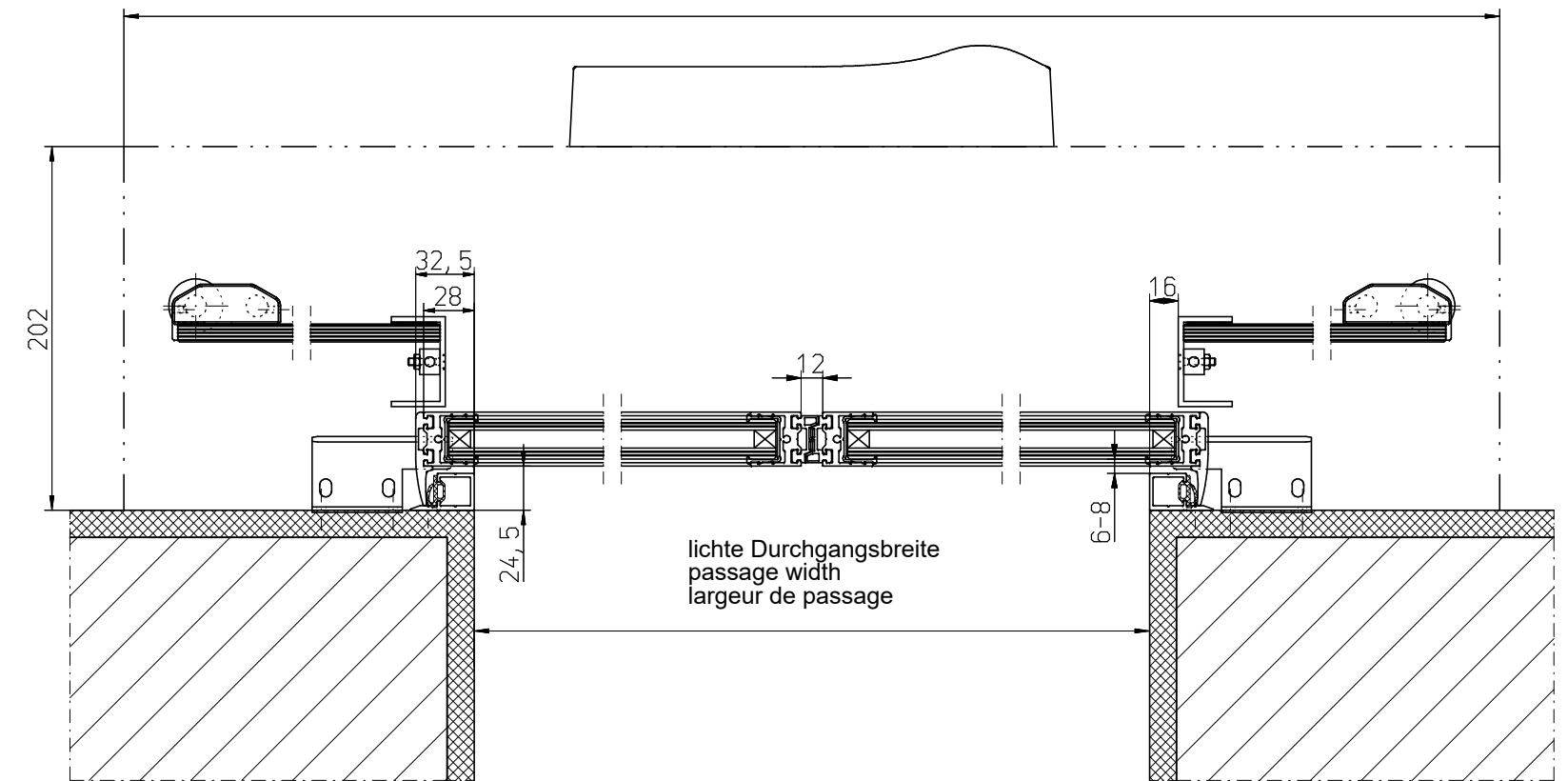
A - A



Ansicht Aussen
front view
vue de face



B - B



Surface treatment	Material	Scale	1:2	
Tolerance	Mass weight	Part No.	Date	Name
		EM/EMF-MW-SF	10.09.2020	Jember
Type	Norm	Norm	Norm	Norm
Proprietary rights apply in accordance with ISO 16016		Responsible for	Responsible by	01. Schutzlippe, verschoben
01. Schutzlippe, verschoben		Date	04.04.2025	Erweise
Description		Drawing No.	Date	Name
-Profilsystem G30- 2-flügelig		A-9902010-01		
-Profile system G30- 2 door leaves		Sheet		1