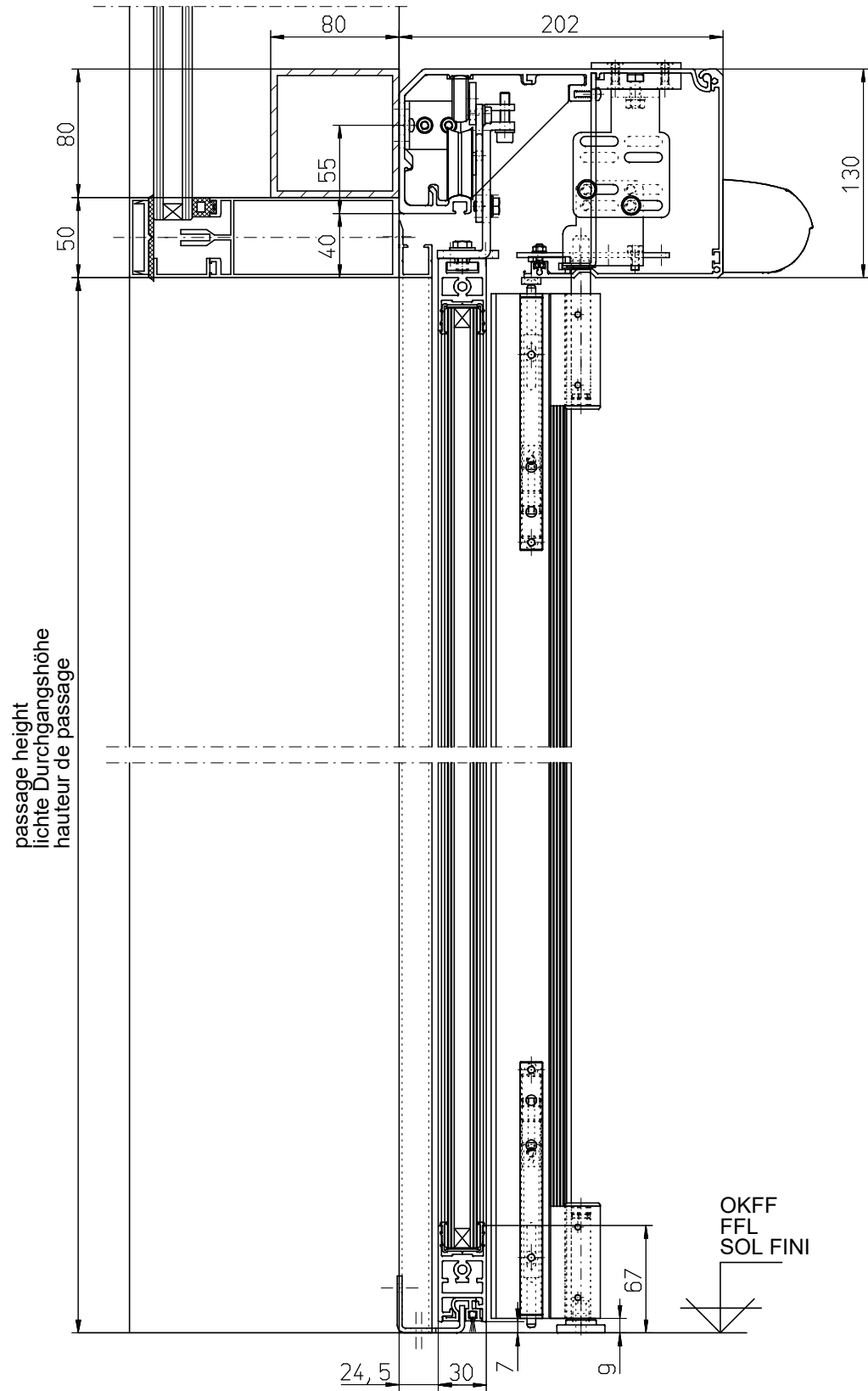
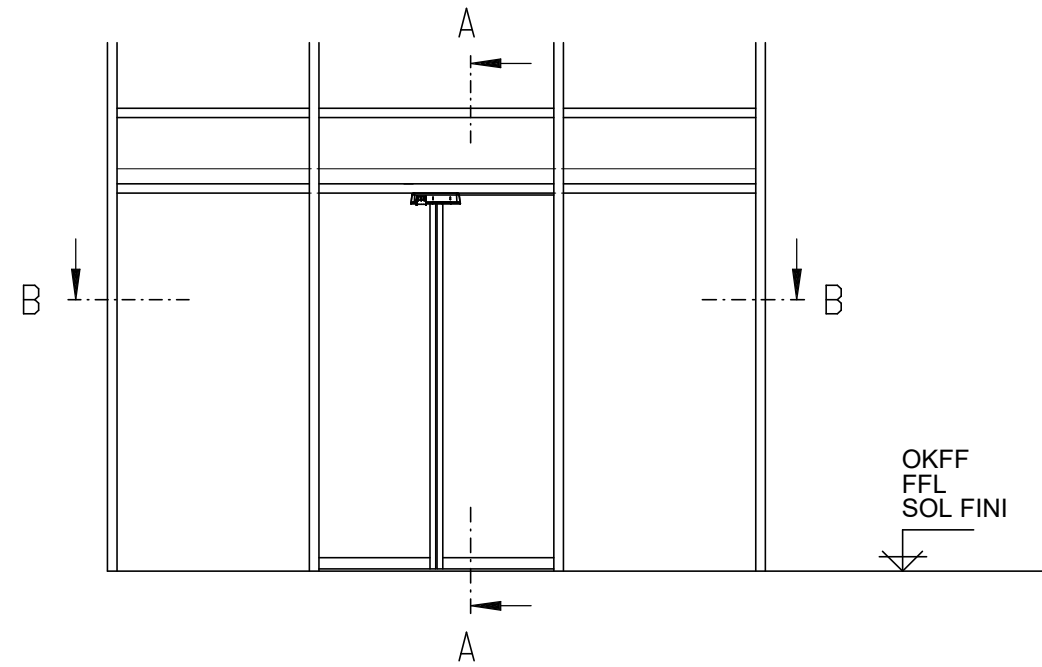


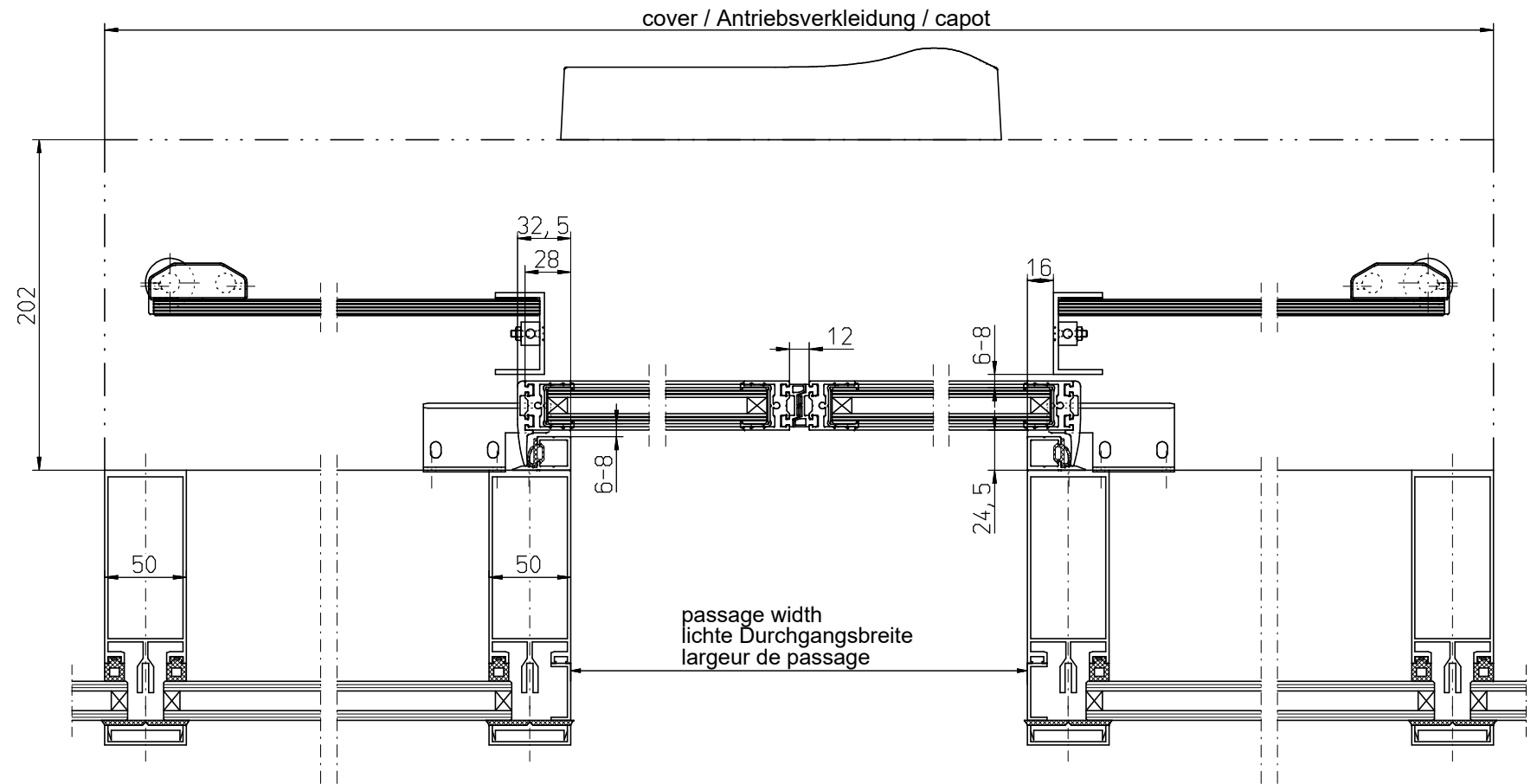
A - A



front view
Ansicht Aussen
vue de face



B - B



Surface treatment	Material	Scale	1:2	
Tolerance	Mass weight	Part No.	Date	Name
		EM/EMF-PR-SF	16.09.2020	Jember
Type	Norm	Norm	Norm	Norm
Proprietary rights apply in accordance with ISO 16016				
Description		Revision	Date	Name
-Profilsystem G30- 2-flügelig		01	04.04.2025	Erweise
-Profile system G30- 2 door leaves		01	04.04.2025	Erweise
GU Automatic GmbH		Drawing No.		Sheet
www.gu-automatic.com		A-9902070 01		1