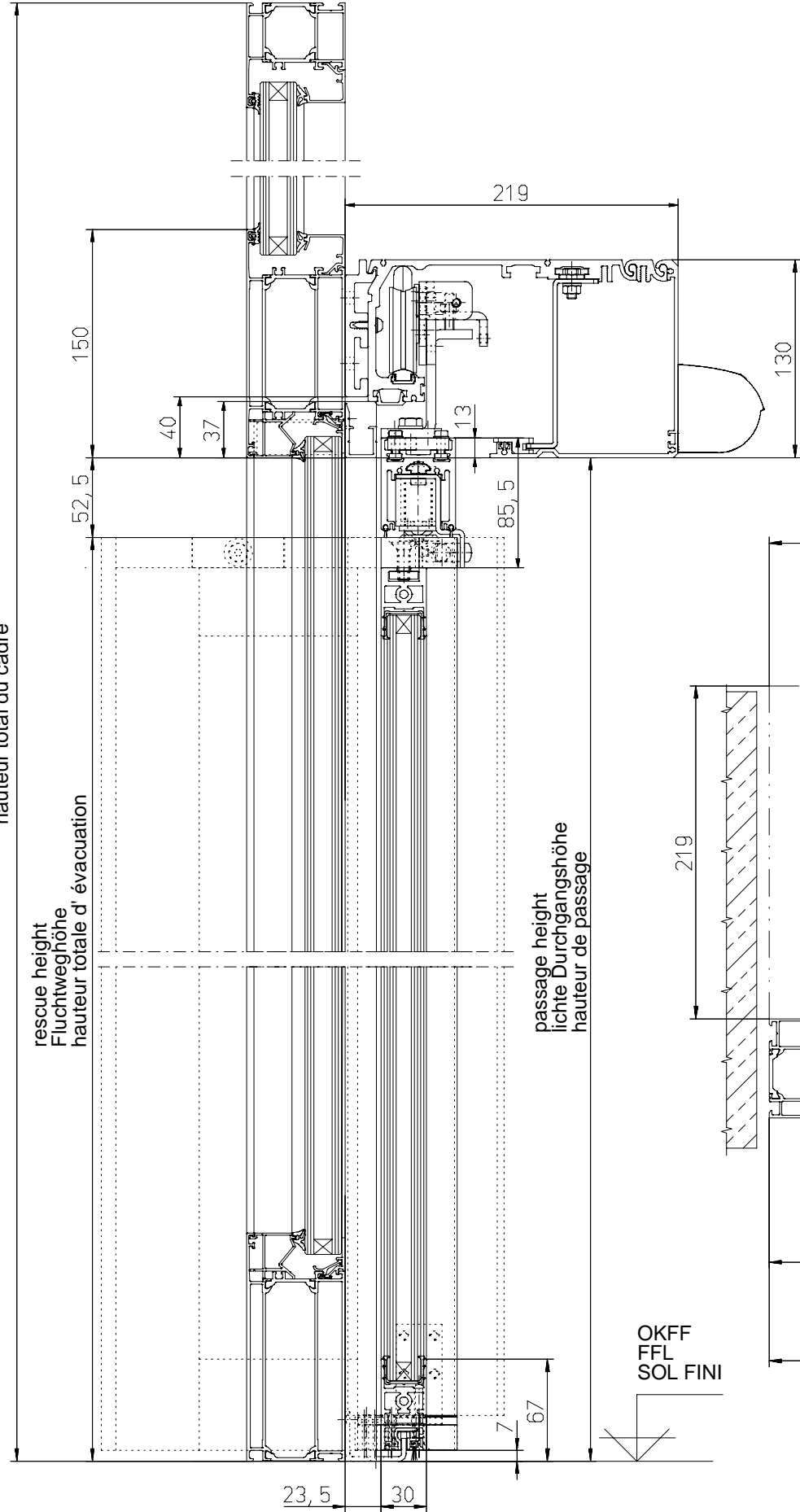
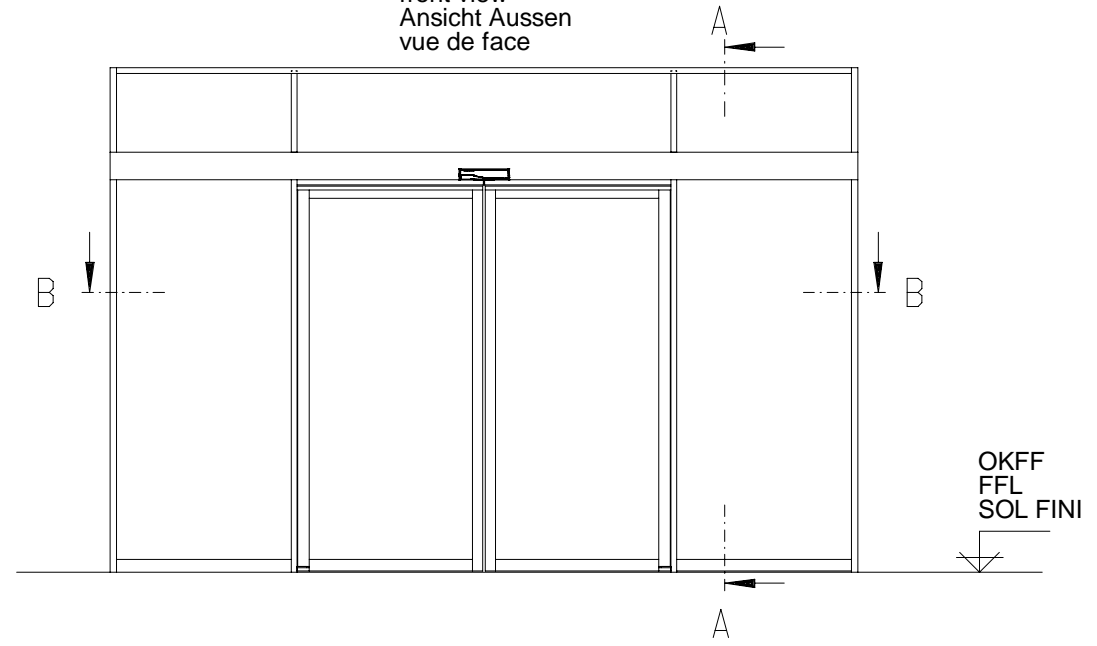


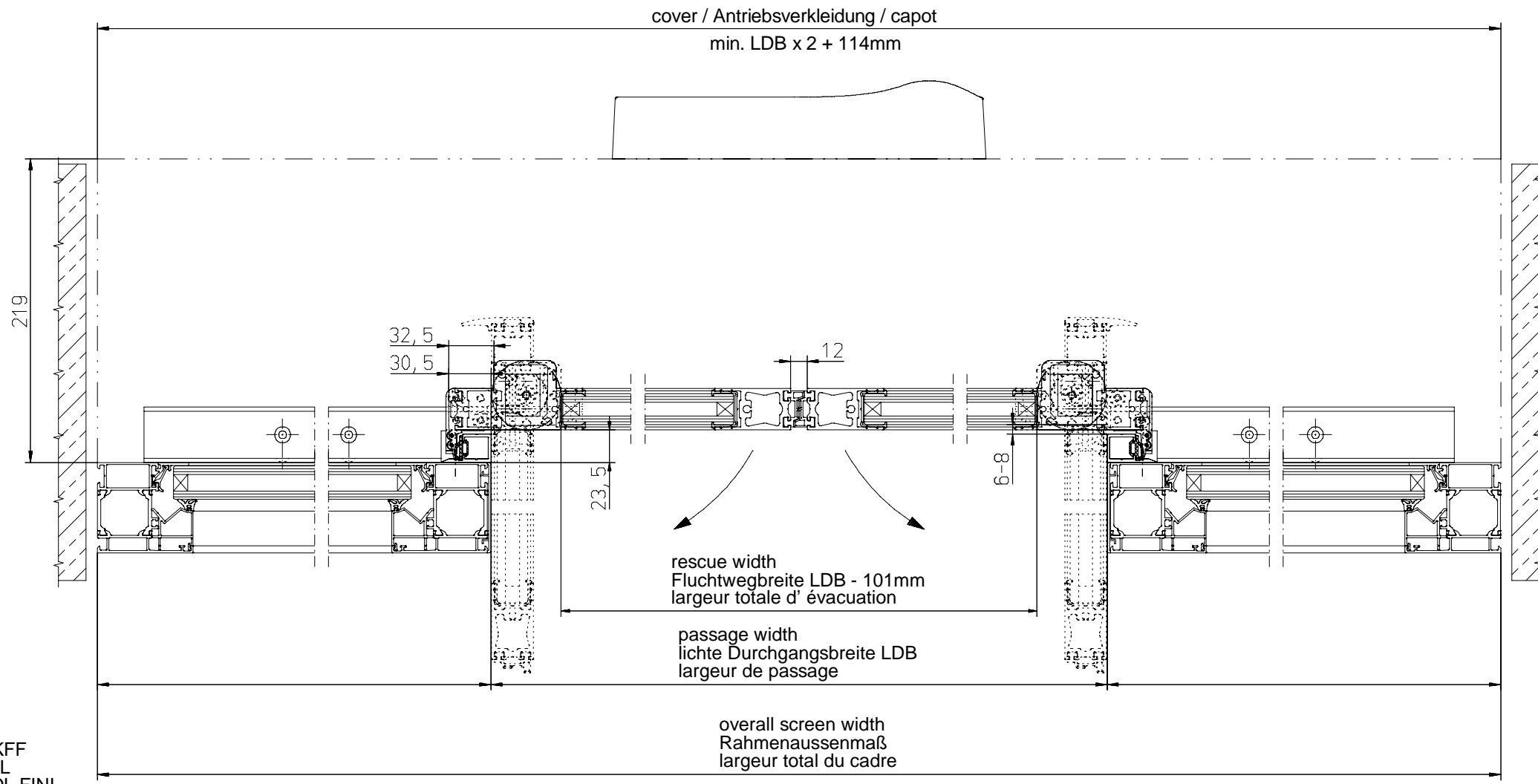
A - A



front view
Ansicht Aussen
vue de face



B - B



Surface treatment	Material	Scale		
Tolerance	Mass Weight	Part No.	Date	Name
		HM-F-FT-EL-CL	01.11.2020	Jankov
Type	Norm	Design firm	Designer	Drawn by
Proprietary rights apply in accordance with ISO 10076				
GU GU Automatic GmbH www.gu-automatic.com	Description -Profilsystem G30- 2-flügelig -Profile system G30- 2 door leaves	Level	Revised	Date
	Drawing No. A-9904080-1			Sheet 1