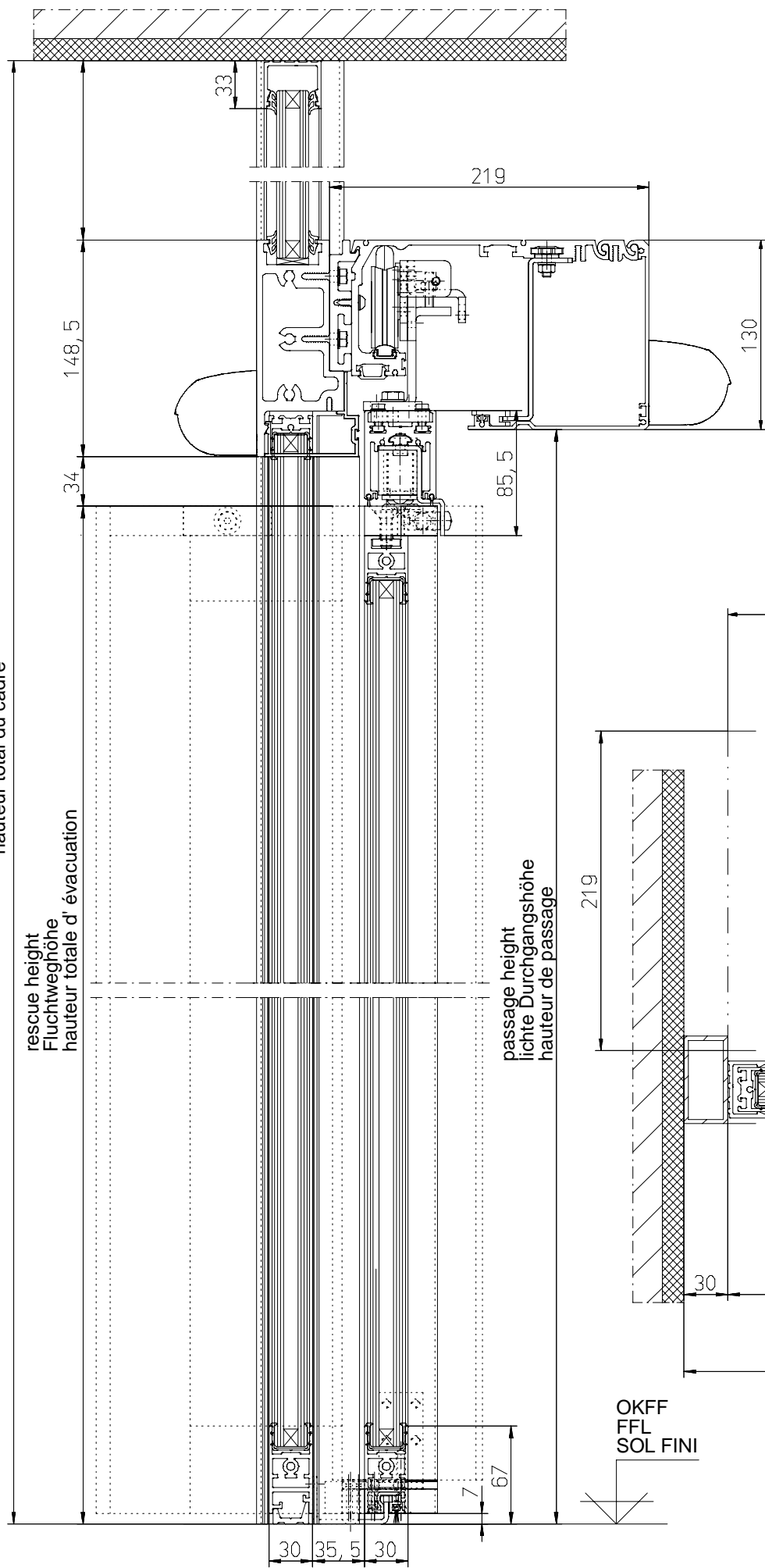
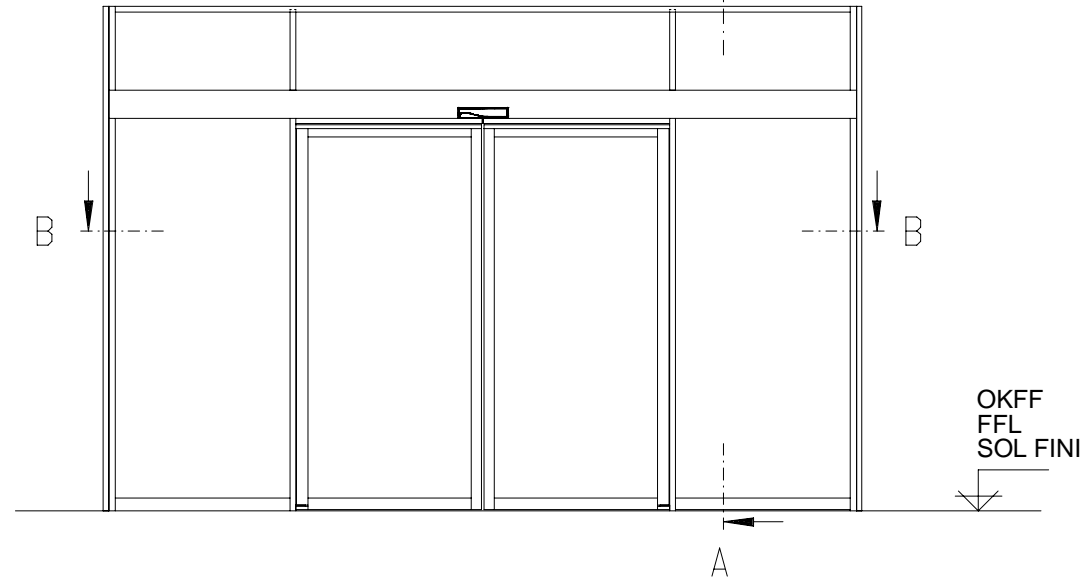


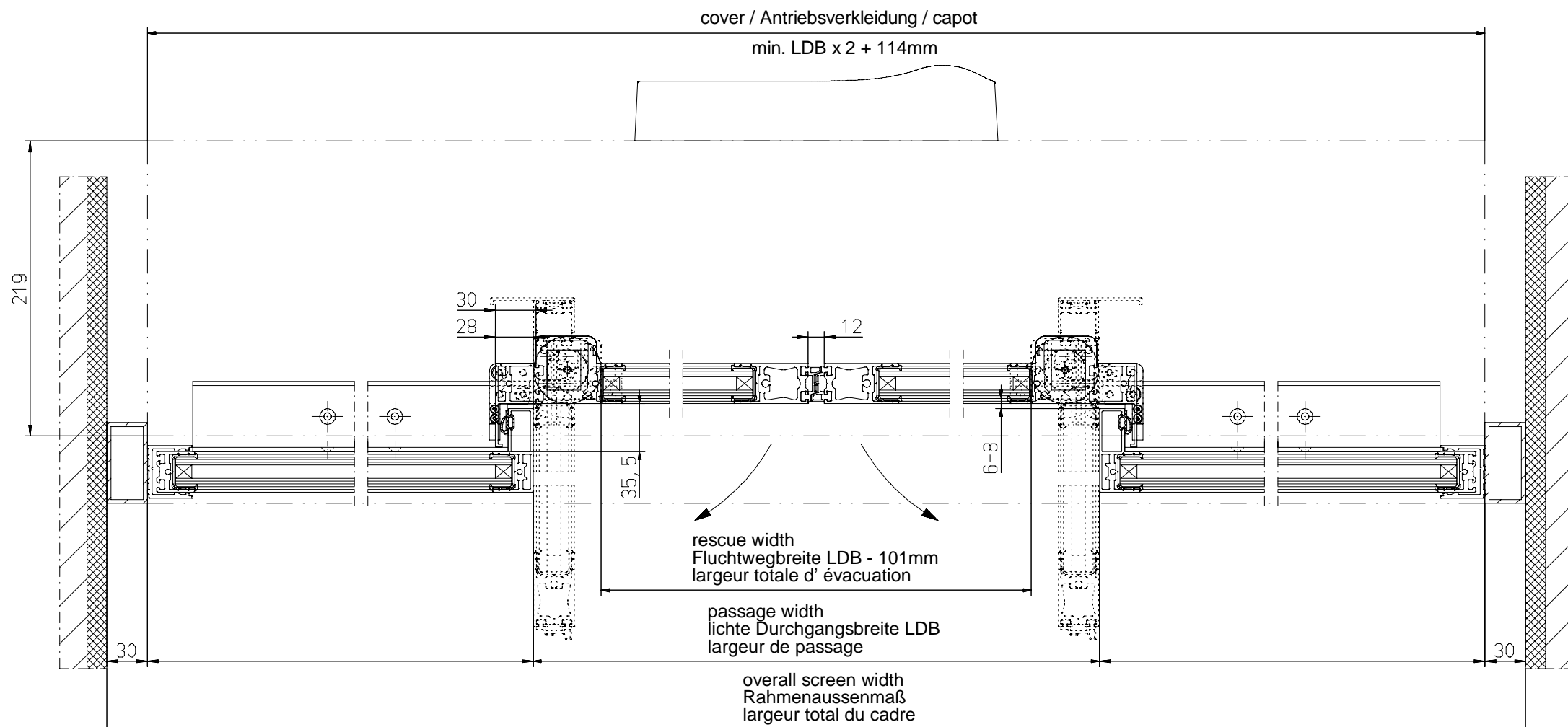
A - A



front view
Ansicht Aussen
vue de face



B - B



OKFF
FFL
SOL FINI

Surface treatment	Material	Scale		
Tolerance	Mass Weight	Part No.	Date	Name
		HM-F-FI-ST-OL	30.10.2020	Januar
Type	Norm	Design No.	Revision No.	Sheet
Proprietary rights apply in accordance with ISO 10076				
GU GU Automotive GmbH www.gu-automotive.com	Description -Profilsystem G30- 2-flügelig -Profile system G30- 2 door leaves	Drawing No. A-9904.030-1	Revizor	Sheet 1