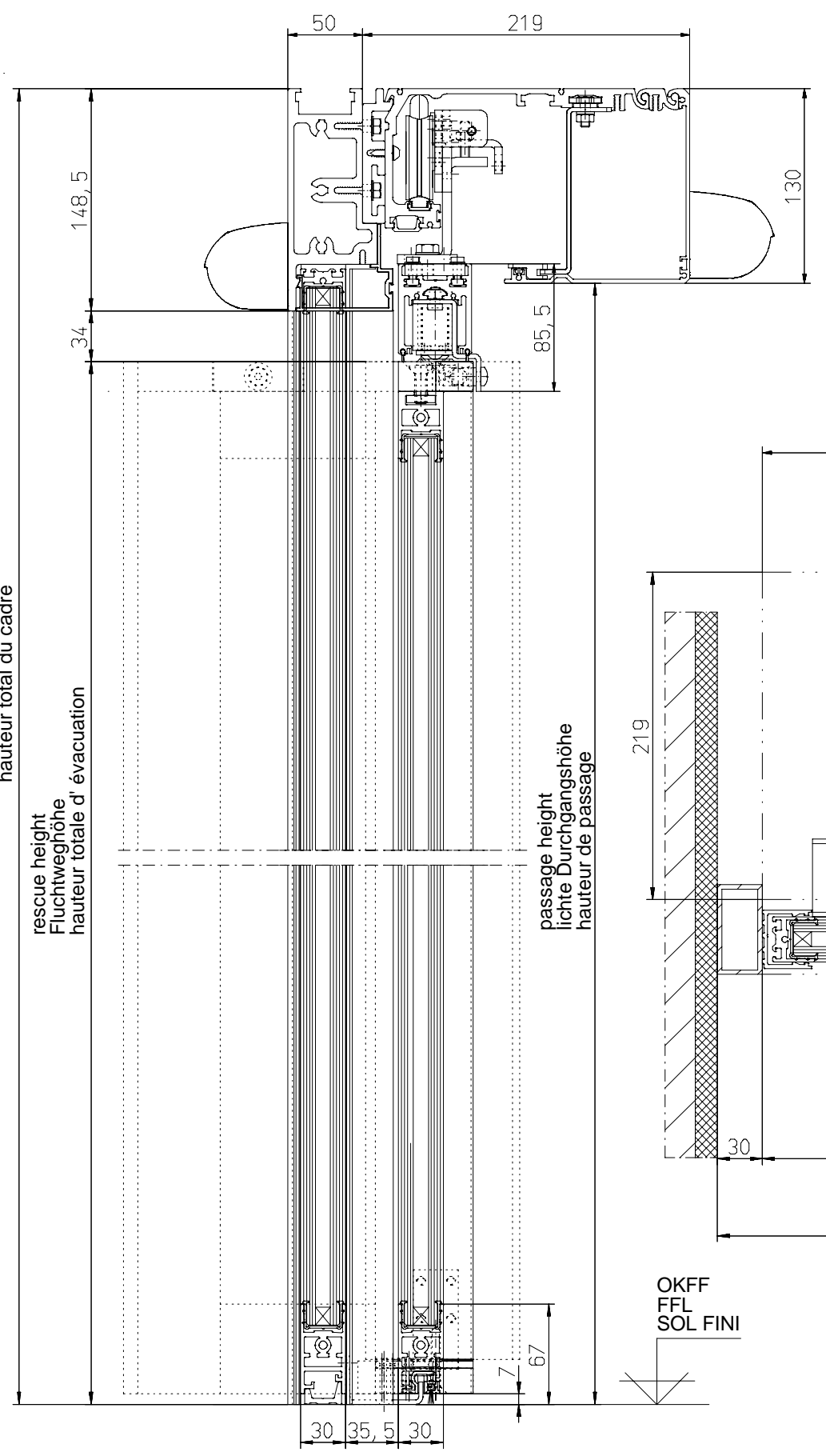


A - A

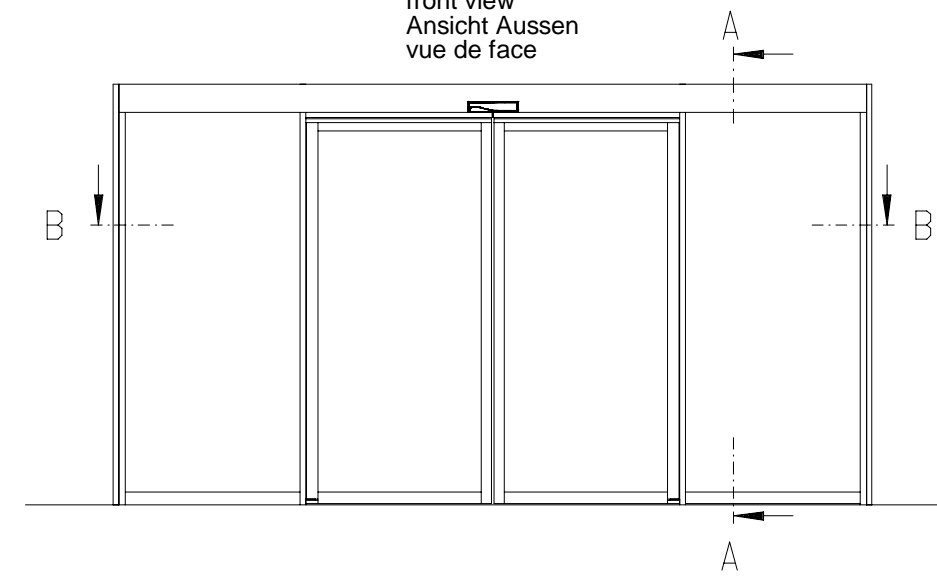


overall screen height
Rahmenseitenmaß
hauteur total du cadre

rescue height
Fluchtweghöhe
hauteur totale d' évacuation

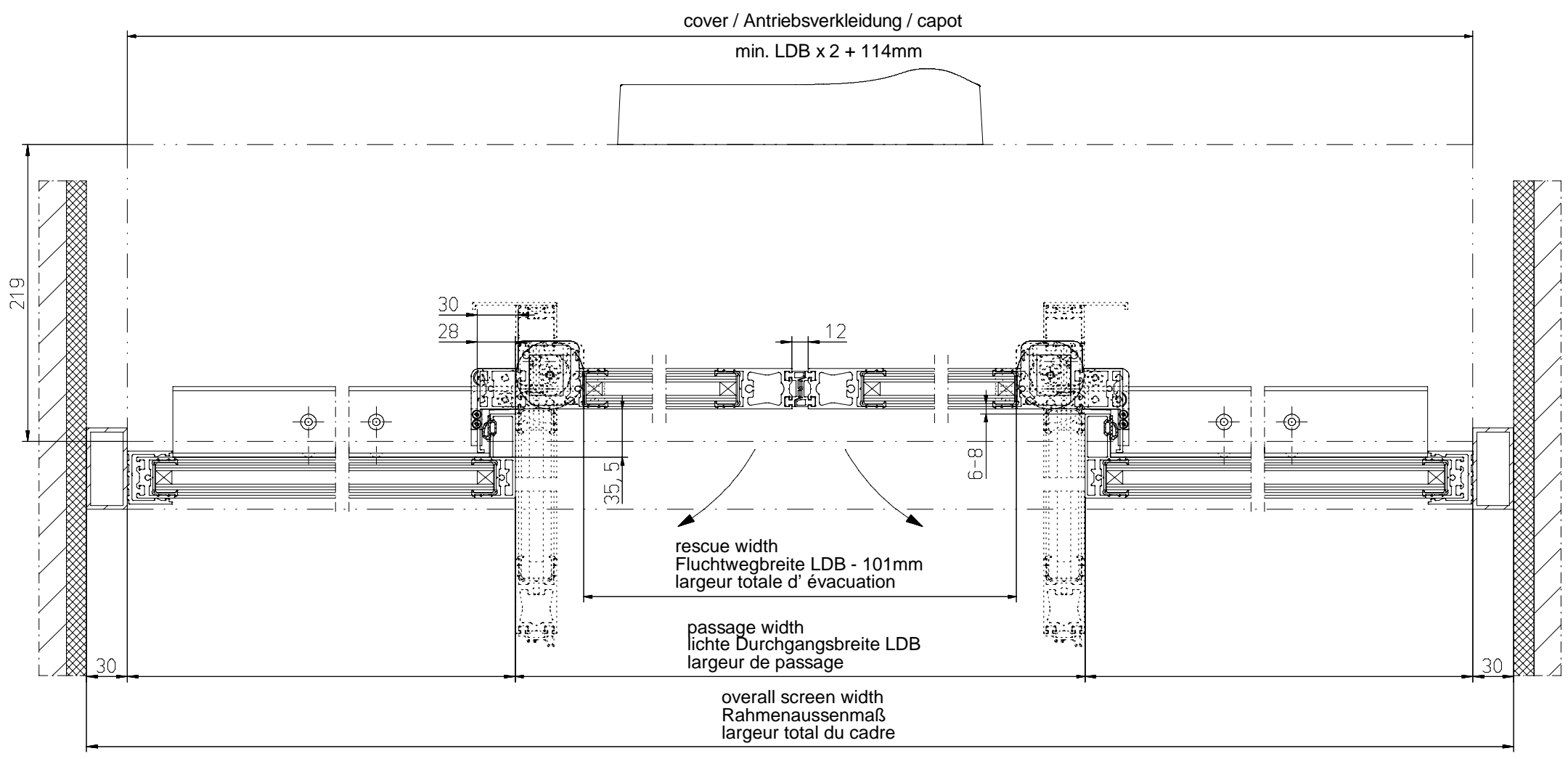
passage height
lichte Durchgangshöhe
hauteur de passage

front view
Ansicht Aussen
vue de face



OKFF
FFL
SOL FINI

B - B



cover / Antriebsverkleidung / capot
min. LDB x 2 + 114mm

rescue width
Fluchtwegbreite LDB - 101mm
largeur totale d' évacuation

passage width
lichte Durchgangsbreite LDB
largeur de passage

overall screen width
Rahmenseitenmaß
largeur total du cadre

OKFF
FFL
SOL FINI

Surface treatment	Material	Scale	Date		Name	
		1/2	26.05.2021			
Tolerance	Mass Weight (kg)	Part No.	Date		Name	
		HM-F-FI-ST				
Type	Norm	Design firm	Design by	Design by		
Proprietary rights apply in accordance with ISO 10076						
Description			Level	Revised	Date	Name
-Profilsystem G30- 2-flügelig			Drawing No.			
-Profile system G30- 2 door leaves			A-9904.020-1			
GU GU Automotive GmbH www.gu-automotive.com			Sheet			
			1			