

# econoMaster EM und EM-F in-line sliding door

Reliable and economical – for almost all applications



Reliable and easy to install



The tried and tested technology of the econoMaster drive system with 2 rollers and one counter roller per carriage guarantees low wear and high cycle numbers.

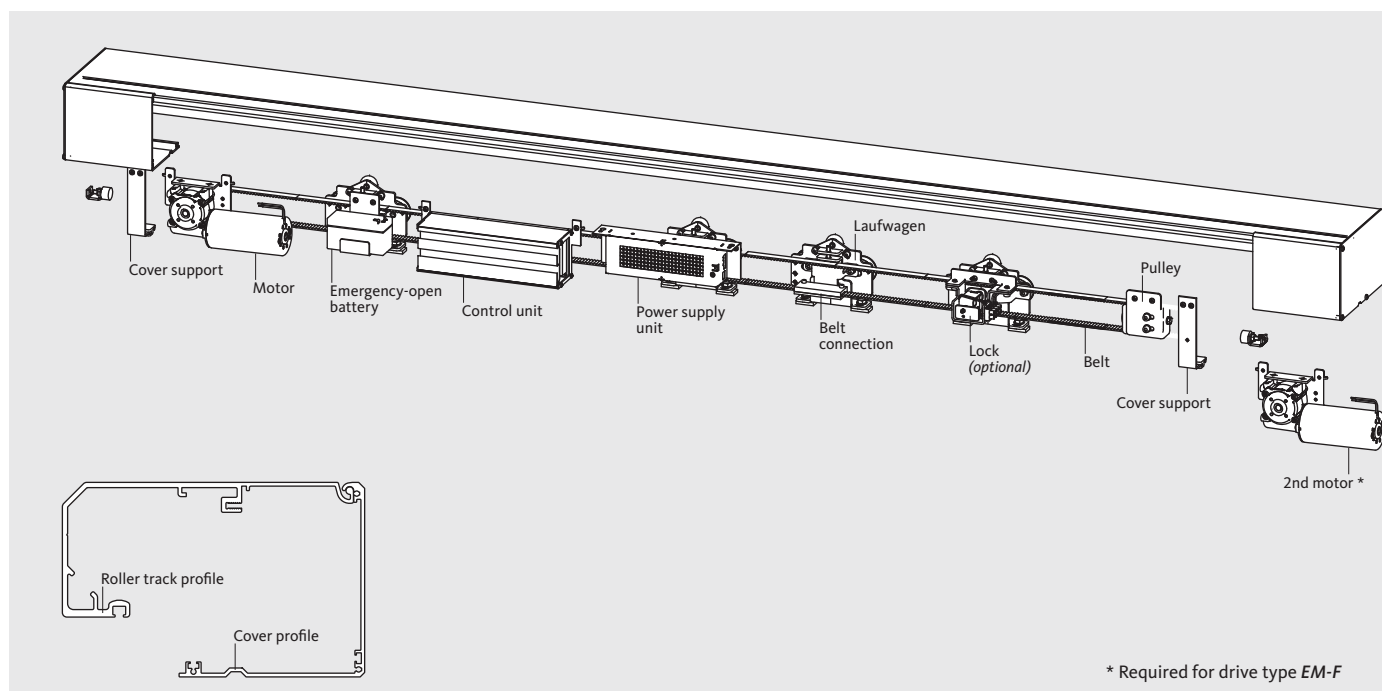
With permissible door leaf weights of up to 130 kg, large passage widths can be achieved with our slim G30 profile system or with thermally-broken profile systems with an outstanding price-performance ratio.

Whether your door assembly consists of drive and sliding panels only or also includes side elements or fanlights, GU Automatic offers you full service, consisting of installation, commissioning and maintenance.

The drives are certified to DIN 18650/ EN 16005 and type-tested by TÜV and comply with the current directives and standards. The EM-F drive system is tested and suitable for use in escape and rescue routes (AutSchR).

## Convincing in detail:

- **Type EM-F:** Redundant drive with 2 motors for use in escape and rescue routes
- Well-engineered, proven mechanics
- Fast opening speed of up to max. 0.9 m/s
- Clear and simple operation
- Optionally available with locking element integrated into the carriage or floor/hook bolt lock (optional)
- Easy installation of roller track and drive components
- Self-learning control system with many connection and adjustment options
- Continuous floor guide (optional)



Description	econoMaster EM / econoMaster EM-F	
	1-leaf	2-leaf
Application	800 – 2000 mm	800 – 3000 mm
Clear passage width <sup>[1][2]</sup>	max. 3000 mm	
Clear passage height <sup>[1]</sup>	130 mm	
Height of drive	max. 130 kg / leaf	
Door leaf weight	230 V AC, 50 Hz	
Supply voltage	max. 160 VA (50 VA during operation)	
Power consumption	0 – 99 s	
Hold-open time	0 – 99 s	
Hold-open time with key impulse	max. 0.9 m/s	
Opening speed	max. 0.5 m/s	
Closing speed	50% - 100% of the clear passage width	
Winter opening width <sup>[2]</sup>	IP 20 (for dry rooms only) / -15 °C up to +50 °C	
Protection type / ambient temperature		

<sup>[1]</sup> Standard dimensions, taking into account the overall measurement, the ratio of height and width and the local installation conditions; special solutions on request.

<sup>[2]</sup> The mandatory escape route width must be observed.