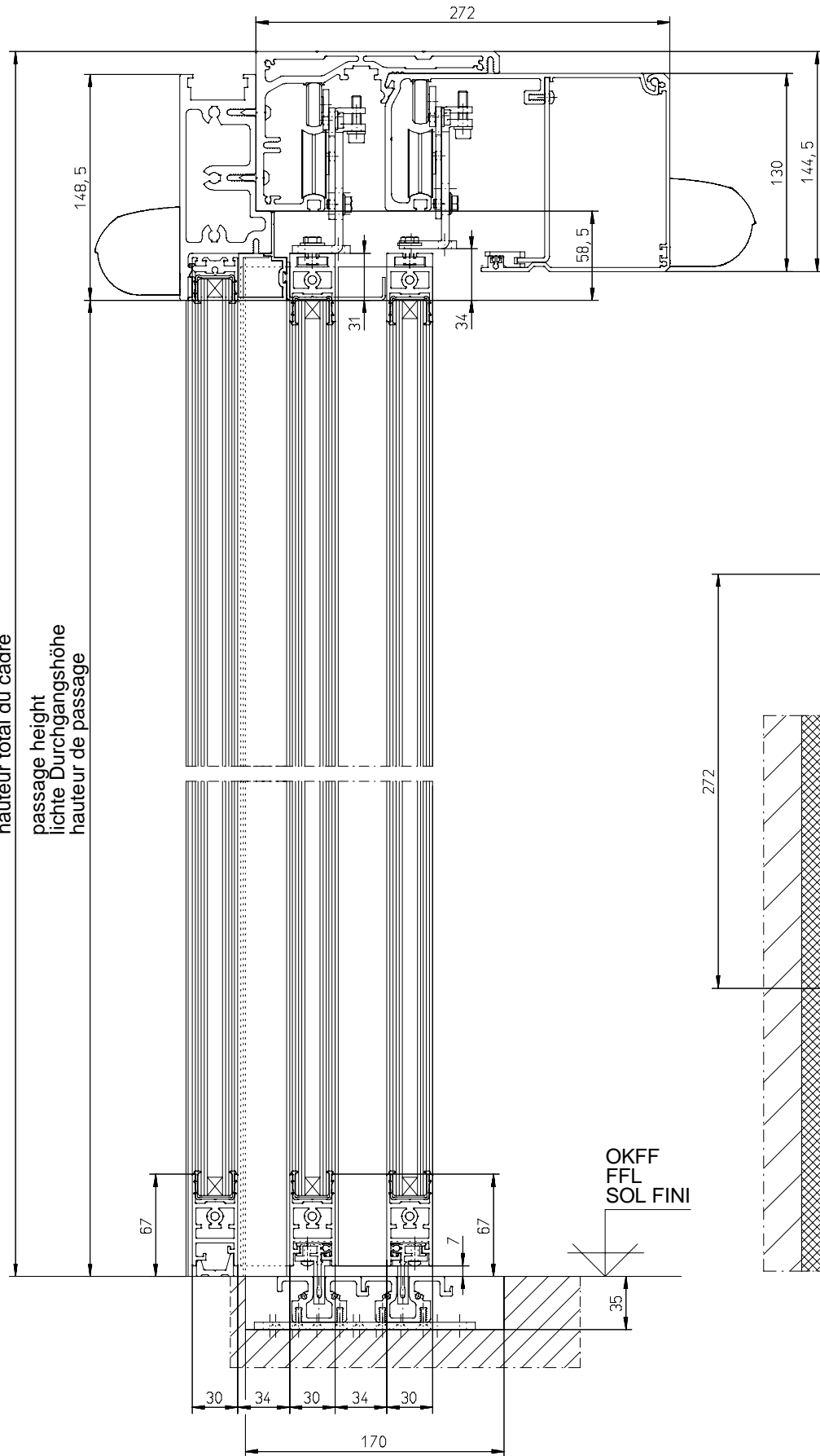
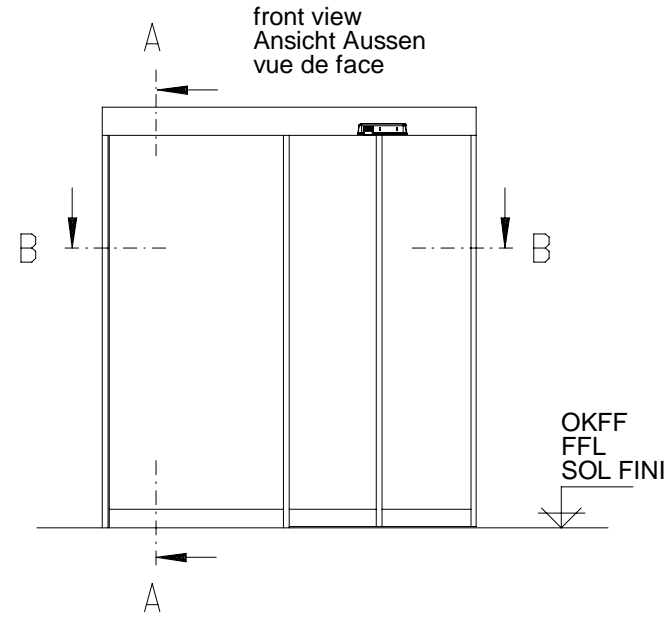


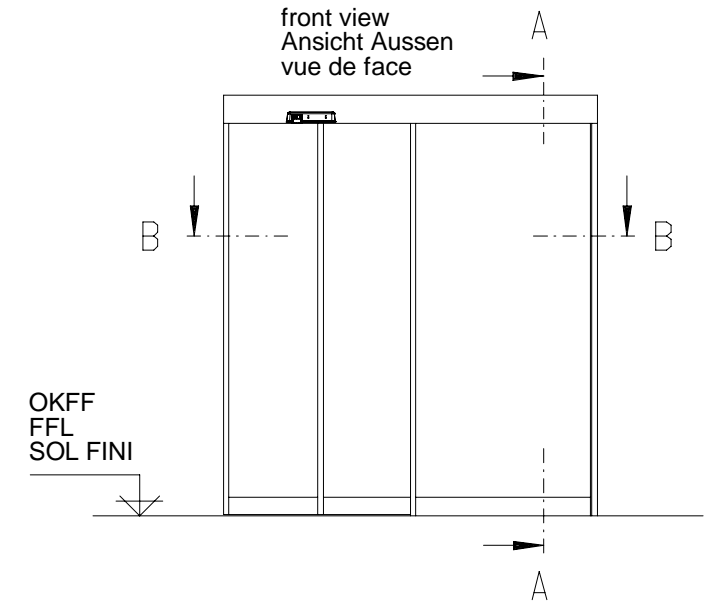
A - A



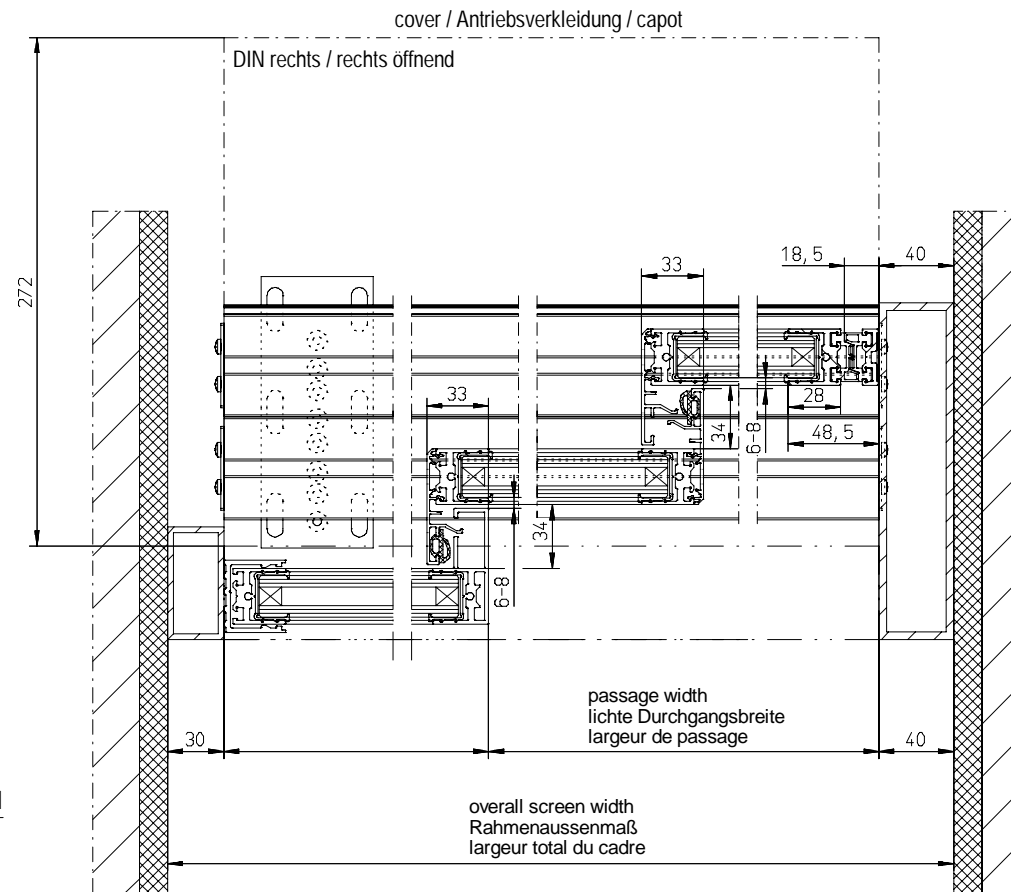
DIN rechts / rechts öffnend



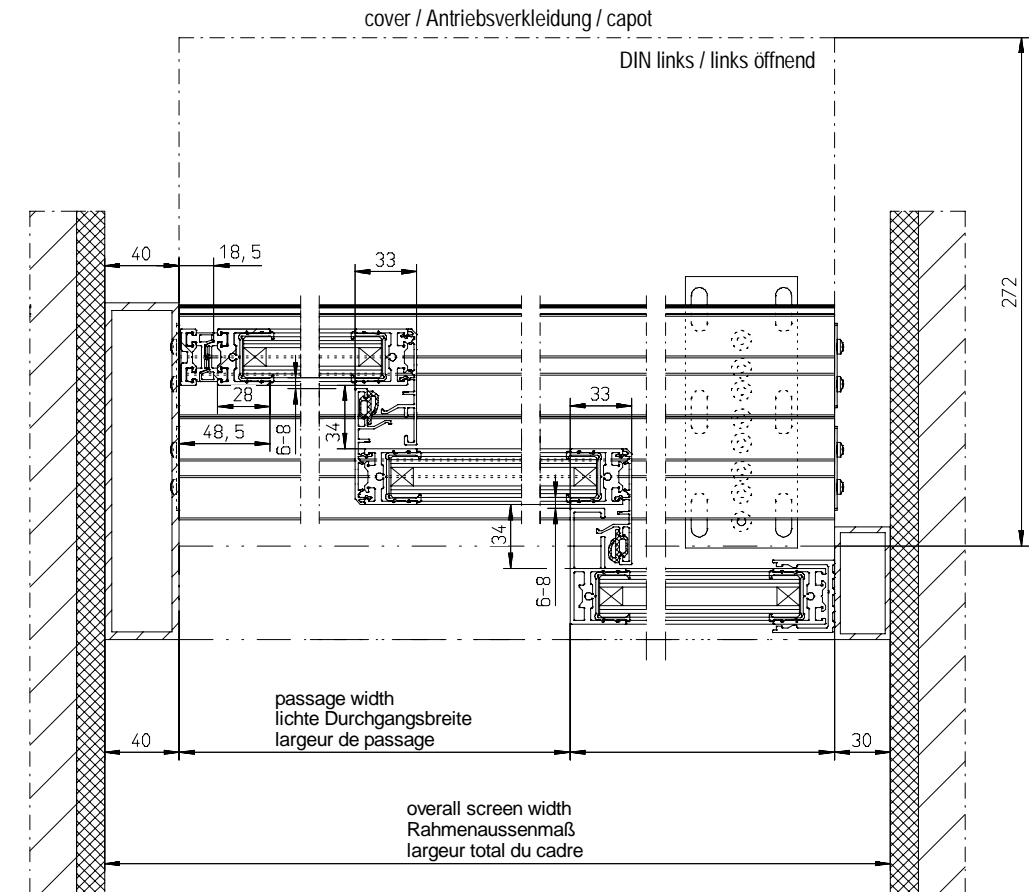
DIN links / links öffnend



B - B



B - B



Surface treatment	Material	Scale	A	
Tolerance	Mass Weight (kg)	Part No.	Date	Name
		EMT/EMTF-ST	26.05.2020	Januar
Type	Norm	Design firm	Design by	Design by
Proprietary rights apply in accordance with ISO 10016				
GU	Description	Level	Revised	Date
GU Automatic GmbH	-Profilsystem G30- 2-flügelig	Drawing No.		
www.gu-automatik.com	-Profile system G30- 2 door leaves	A-9905120-2		
		Sheet		
		1		